

MAC92(A) SERIES

BIDIRECTIONAL THYRISTORS

FEATURES

- Available as "HR" (high reliability) screened per MIL-PRF-19500, JANTX level. Add "HR" suffix to base part number.
- Available as non-RoHS (Sn/Pb plating), standard, and as RoHS by adding "-PBF" suffix.

MAXIMUM RATINGS

Rating	Symbol	Value	Unit
Peak repetitive off-state voltage ($T_j = -40$ to 100°C , $\frac{1}{2}$ sine wave 50 to 60Hz, gate open) MAC92(A)-1 MAC92(A)-2 MAC92(A)-3 MAC92(A)-4 MAC92(A)-5 MAC92(A)-6	V_{DRM}	30 60 100 200 300 400	Volts
RMS on-state current (full cycle sine wave 50 to 60Hz, $T_c = 60^\circ\text{C}$)	$I_{\text{T(RMS)}}$	0.45	Amps
Peak non-repetitive surge current (1 cycle, 60Hz, $T_c = 60^\circ\text{C}$, preceded and followed by rated current)	I_{TSM}	6.0	Amps
Circuit fusing considerations ($T_j = -40$ to $+100^\circ\text{C}$, $t = 8.3\text{ms}$)	I^2t	0.15	A^2s
Average gate power	$P_{\text{G(AV)}}$	0.1	Watts
Peak gate current	I_{GM}	1	Amps
Operating junction temperature range	T_j	-40 to +100	$^\circ\text{C}$
Storage temperature range	T_{stg}	-40 to +150	$^\circ\text{C}$

THERMAL CHARACTERISTICS

Characteristic	Symbol	Maximum	Unit
Thermal resistance, junction to case	$R_{\theta\text{JC}}$	75	$^\circ\text{C}/\text{W}$
Thermal resistance, junction to ambient	$R_{\theta\text{JA}}$	200	$^\circ\text{C}/\text{W}$

MAC92(A) SERIES

BIDIRECTIONAL THYRISTORS

ELECTRICAL CHARACTERISTICS @ 25°C unless otherwise noted

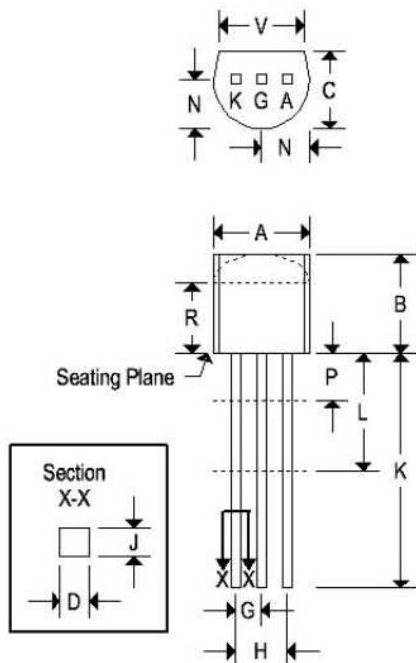
Characteristic	Symbol	Min	Typ.	Max	Unit
Peak blocking current (either direction) ($V_D = \text{Rated } V_{DRM}, T_j = 100^\circ\text{C}, \text{ gate open}$)	I_{DRM}	-	-	100	μA
Peak on-state voltage (either direction) ($I_{TM} = 0.7\text{A peak}, \text{ pulse width} = 1 \text{ to } 2\text{ms}, \text{ duty cycle} \leq 2\%$)	V_{TM}	-	-	1.7	Volts
Gate trigger current (continuous dc) ($V_D = 7\text{V}, R_L = 100\Omega$) MT2(+),G(+); MT2(-),G(-), all devices MT2(+),G(-); MT2(-),G(+), MAC92A-1 through MAC92A-6	I_{GT}	-	-	5.0 15	mA
Gate trigger voltage (continuous dc) ($V_D = 7\text{V}, R_L = 100\Omega, \text{ minimum gate pulse width} = 2\mu\text{s}$) MT2(+),G(+); MT2(-),G(-), all devices MT2(+),G(-); MT2(-),G(+), MAC92A-1 through MAC92A-6 MT2(+),G(+); MT2(-),G(-), $T_C = -40^\circ\text{C}$, all devices MT2(+),G(-); MT2(-),G(+), $T_C = -40^\circ\text{C}$, MAC92A-1 through MAC92A-6 ($V_D = \text{Rated } V_{DRM}, R_L = 10\text{k}\Omega, T_j = 125^\circ\text{C}$) MT2(+),G(+); MT2(-),G(-), all devices MT2(+),G(-); MT2(-),G(+), MAC92A-1 through MAC92A-6	V_{GT}	-	-	2.0 2.0 3.0 3.0	Volts
Holding current (either direction) ($V_D = 7\text{V}, I_{TM} = 20\text{mA}, \text{ gate open}, T_C = 25^\circ\text{C}$) ($V_D = 7\text{V}, I_{TM} = 20\text{mA}, \text{ gate open}, T_C = -40^\circ\text{C}$)	I_H	-	-	10 20	mA

MAC92(A) SERIES

BIDIRECTIONAL THYRISTORS

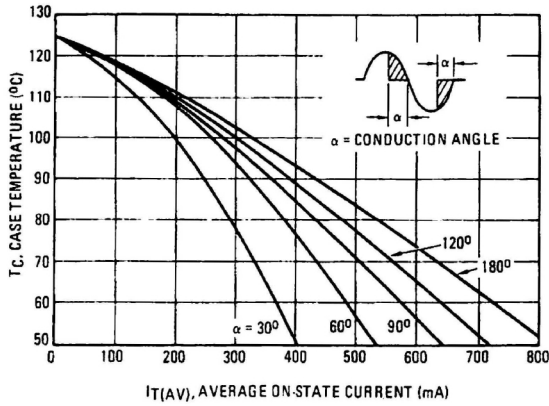
MECHANICAL CHARACTERISTICS

Case	TO-92
Marking	Alpha-numeric
Pin out	See below

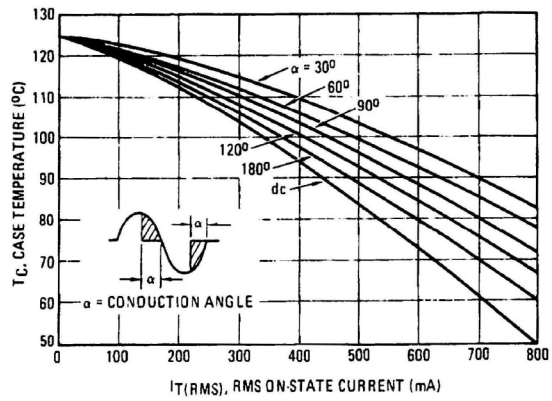


	TO-92			
	Inches		Millimeters	
	Min	Max	Min	Max
A	0.175	0.205	4.450	5.200
B	0.170	0.210	4.320	5.330
C	0.125	0.165	3.180	4.190
D	0.016	0.022	0.410	0.550
F	0.016	0.019	0.410	0.480
G	0.045	0.055	1.150	1.390
H	0.095	0.105	2.420	2.660
J	0.015	0.020	0.390	0.500
K	0.500	-	12.700	-
L	0.250	-	6.350	-
N	0.080	0.105	2.040	2.660
P	-	0.100	-	2.540
R	0.115	-	2.930	-
V	0.135	-	3.430	-

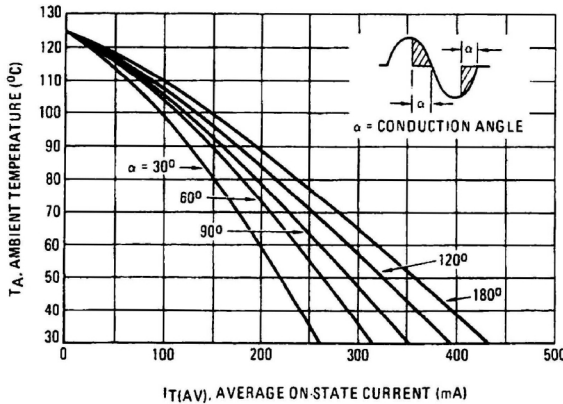
**FIGURE 3 – AVERAGE CURRENT DERATING
(REFERENCE: CASE TEMPERATURE)**



**FIGURE 4 – RMS CURRENT DERATING
(REFERENCE: CASE TEMPERATURE)**



**FIGURE 5 – AVERAGE CURRENT DERATING
(REFERENCE: AMBIENT TEMPERATURE)**



**FIGURE 6 – RMS CURRENT DERATING
(REFERENCE: AMBIENT TEMPERATURE)**

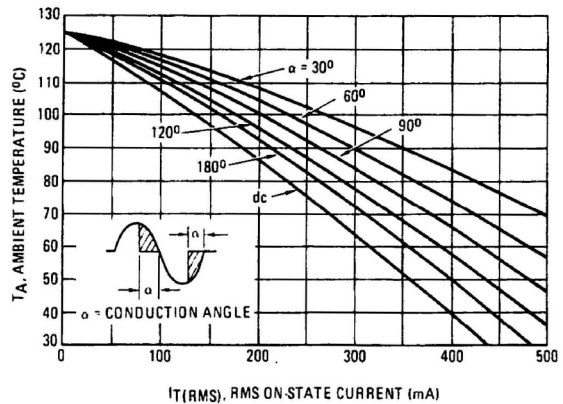


FIGURE 7 – ON-STATE POWER DISSIPATION

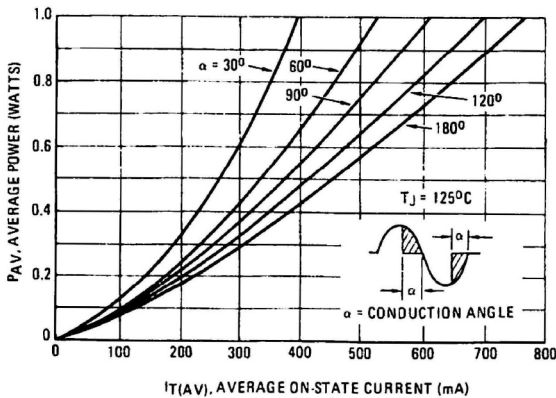
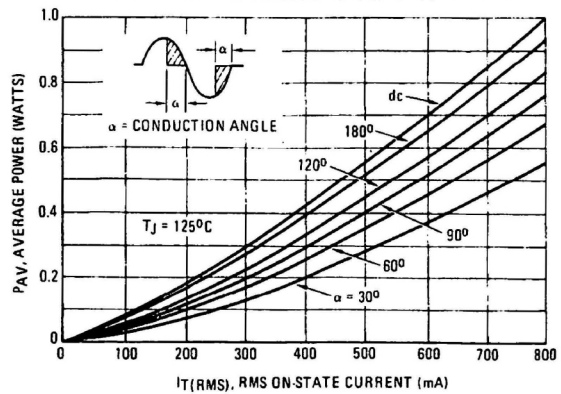


FIGURE 8 – ON-STATE POWER DISSIPATION



MAC92(A) SERIES

BIDIRECTIONAL THYRISTORS

FIGURE 9 – MAXIMUM ON-STATE CHARACTERISTICS

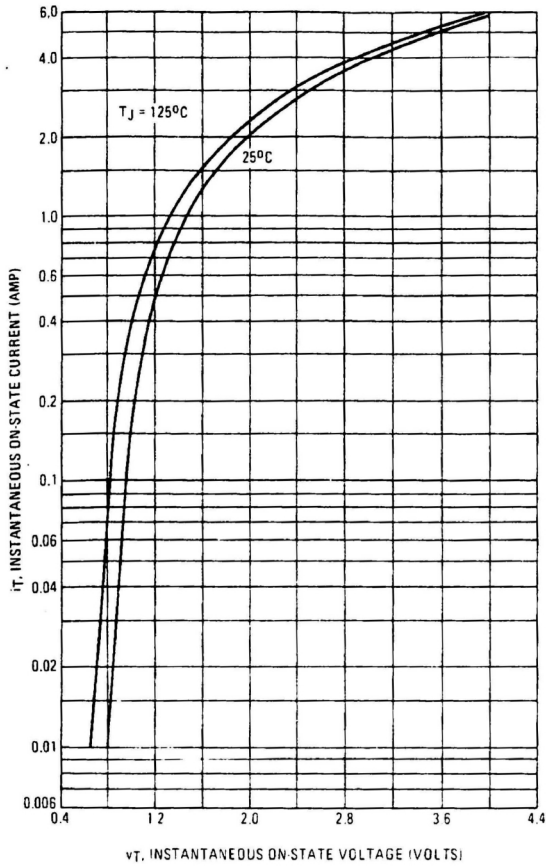


FIGURE 10 – TYPICAL HOLDING CURRENT

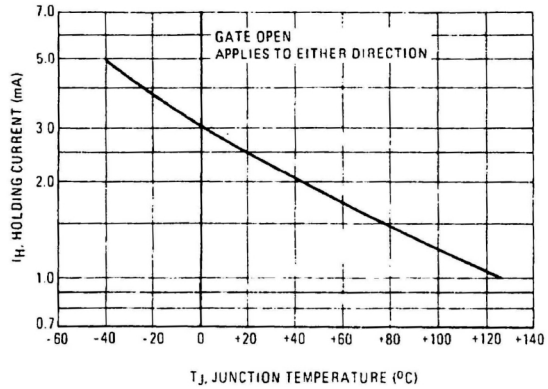


FIGURE 11 – MAXIMUM NON-REPETITIVE SURGE CURRENT

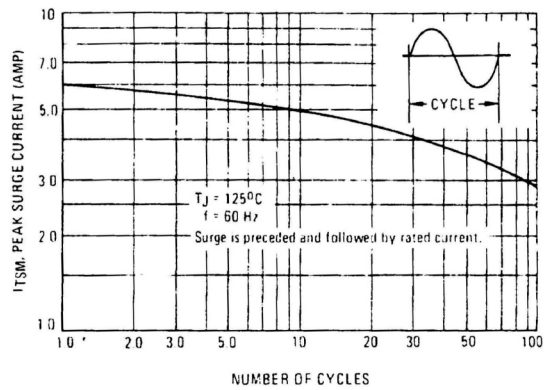


FIGURE 12 – THERMAL RESPONSE

