

FEATURES

- Available as "HR" (high reliability) screened per MIL-PRF-19500, JANTX level. Add "HR" suffix to base part number.
- Available as non-RoHS (Sn/Pb plating), standard, and as RoHS by adding "-PBF" suffix.

MAXIMUM RATINGS

Rating	Symbol	Value	Unit
Repetitive peak off-stage voltage, gate open ($T_j = -65$ to $+100^\circ\text{C}$)	V_{DRM}	200	Volts
T6411B		400	
T6411D		600	
T6411M		800	
T6411N			
RMS on-state current (conduction angle = 360° , $T_c \leq 65^\circ\text{C}$)	$I_{\text{T(RMS)}}$	30	Amps
Peak non-repetitive surge current (One Cycle, 60Hz)	I_{TSM}	300	Amps
Circuit fusing considerations ($T_j = -65$ to $+100^\circ\text{C}$, $t = 1.25$ to 10ms)	I^2t	450	A^2s
Peak gate power (pulse width = $1.0\mu\text{s}$)	P_{GM}	40	Watts
Average gate power	$P_{\text{G(AV)}}$	0.75	Watts
Peak gate current (pulse width $\leq 1.0\mu\text{s}$)	I_{GM}	2	Amps
Operating junction temperature range	T_j	-65 to +100	$^\circ\text{C}$
Storage temperature range	T_{stg}	-65 to +150	$^\circ\text{C}$
Stud torque		30	In. lb.

THERMAL CHARACTERISTICS

Characteristics	Symbol	Max	Unit
Thermal resistance, junction to case	$R_{\theta\text{JC}}$	0.9	$^\circ\text{C/W}$

ELECTRICAL CHARACTERISTICS ($T_c = 25^\circ\text{C}$ and either polarity of MT2 to MT1 voltage, unless otherwise noted)

Characteristic	Symbol	Min	Typ	Max	Unit
Peak off state current ($V_D = V_{\text{DRM}}$, gate open, $T_j = 100^\circ\text{C}$)	I_{DRM}	-	-	4	mA
Peak on-state voltage (either direction) ($I_{\text{TM}} = 100\text{A}$ peak)	V_{TM}	-	2.1	2.5	Volts
DC gate trigger current (continuous dc) ($V_D = 12\text{V}$, $R_L = 30\Omega$) MT2(+), G(+); MT2(-), G(-) MT2(+), G(-); MT2(-), G(+)	I_{GT}	-	20 35	50 80	mA
DC gate trigger voltage (continuous dc), all trigger modes ($V_D = 12\text{V}$, $R_L = 30\Omega$) ($V_D = \text{Rated } V_{\text{DRM}}$, $R_L = 125\Omega$, $T_c = 100^\circ\text{C}$)	V_{GT}	- 0.2	1.35 -	2.5 -	Volts
Holding current ($V_D = 12\text{V}$, gate open, $I_T = 150\text{mA}$)	I_{H}	-	-	60	mA
Gate controlled turn on time ($V_D = \text{Rated } V_{\text{DRM}}$, $I_{\text{TM}} = 45\text{A}$, $I_{\text{GT}} = 200\text{mA}$, rise time = $0.1\mu\text{s}$)	t_{gt}	-	1.7	3	μs

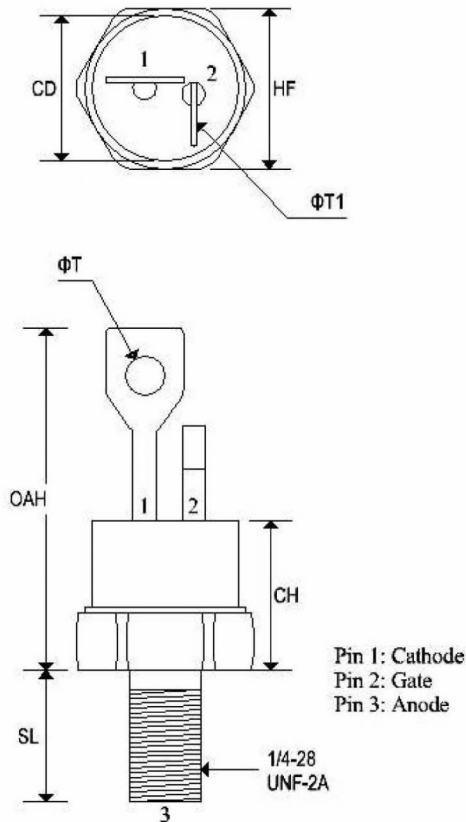
T6411 SERIES

BIDIRECTIONAL TRIODE THYRISTORS

Critical rate of rise of commutating voltage (commutating di/dt = 16A/ms, gate unenergized, $V_D = \text{Rated } V_{DRM}$, $I_{T(RMS)} = 30A$, $T_C = \text{rated value from figure 1}$)	dv/dt(c)	3	20	-	V/ μ s
Critical rate of rise of off-state voltage ($V_D = \text{Rated } V_{DRM}$, gate open, exponential waveform, $T_C = 100^\circ\text{C}$) T6411B T6411D T6411M	dv/dt	40 25 20	-	-	V/ μ s

MECHANICAL CHARACTERISTICS

Case	TO-48
Marking	Alpha-numeric
Polarity	Cathode is stud



	TO-48			
	Inches		Millimeters	
	Min	Max	Min	Max
CD	-	0.543	-	13.793
CH	-	0.550	-	13.970
HF	0.544	0.563	13.817	14.301
OAH	-	1.193	-	30.303
SL	0.422	0.453	10.718	11.507
ΦT	0.125	0.165	3.175	4.191
ΦT ₁	0.060	0.075	1.524	1.905

Note: Contour and angular orientation of terminals 1 and 2 with respect to hex portion and to each other are optional.

T6411 SERIES

BIDIRECTIONAL TRIODE THYRISTORS

FIGURE 1 – CURRENT DERATING

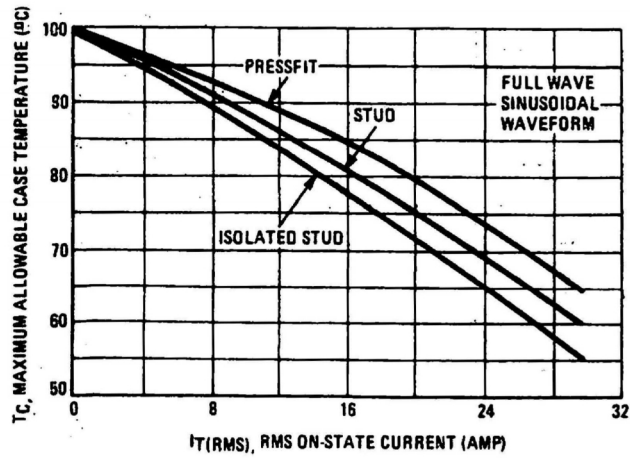


FIGURE 2 – POWER DISSIPATION

