

DIGITRON SEMICONDUCTORS

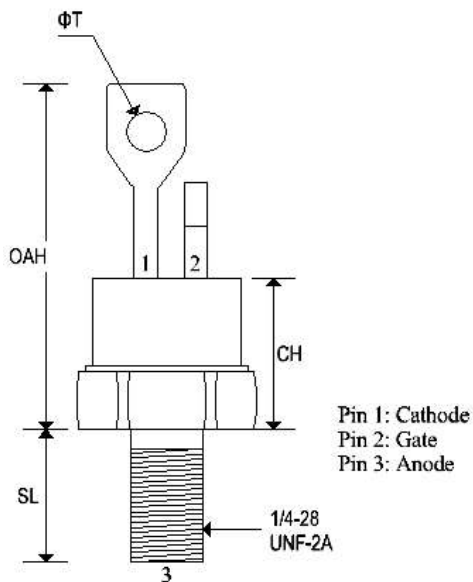
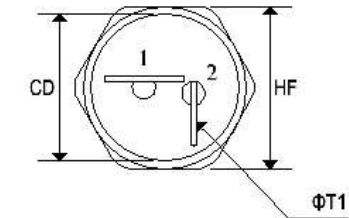
MECHANICAL CASE OUTLINE PACKAGE DIMENSIONS

DATE 29 DEC 2017

CASE TO-48

STUD

CASE	HERMETICALLY SEALED METAL AND GLASS
MARKING	ALPHA NUMERIC
POLARITY	ANODE IS STUD (CASE)
WEIGHT	12.4 GRAMS (APPROXIMATE)



Pin 1: Cathode
Pin 2: Gate
Pin 3: Anode

	TO-48			
	Inches		Millimeters	
	Min	Max	Min	Max
CD	-	0.543	-	13.793
CH	-	0.550	-	13.970
HF	0.544	0.563	13.817	14.301
OAH	-	1.193	-	30.303
SL	0.422	0.453	10.718	11.507
ΦT	0.125	0.165	3.175	4.191
ΦT_1	0.060	0.075	1.524	1.905

Note: Contour and angular orientation of terminals 1 and 2 with respect to hex portion and to each other are optional.

This drawing is for reference only. Please refer to Digitron's published datasheet.