

DIGITRON SEMICONDUCTORS

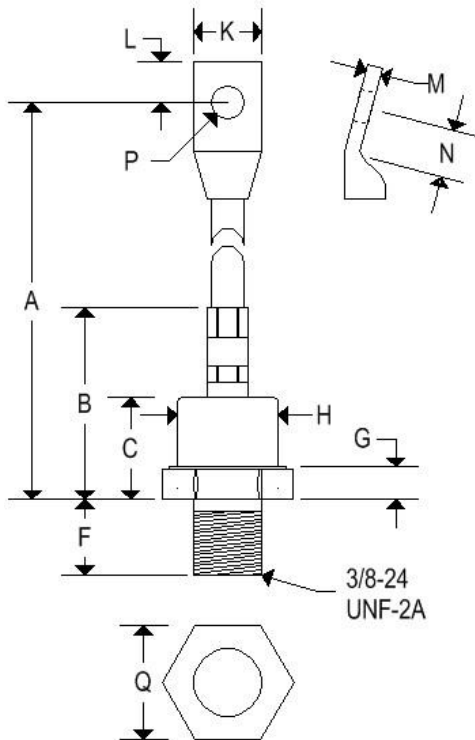
MECHANICAL CASE OUTLINE PACKAGE DIMENSIONS

DATE 24 AUG 2022

CASE DO-8

STUD

| | |
|-----------------|-------------------------------------|
| CASE | HERMETICALLY SEALED METAL AND GLASS |
| MARKING | ALPHA NUMERIC |
| POLARITY | CATHODE IS STUD (CASE) |
| WEIGHT | 78 GRAMS (APPROXIMATE) |



| | DO-8 | | | |
|---|--------|-------|-------------|---------|
| | Inches | | Millimeters | |
| | Min | Max | Min | Max |
| A | 3.875 | 4.625 | 98.430 | 117.470 |
| B | - | 1.675 | - | 42.540 |
| C | 0.875 | 0.960 | 22.230 | 24.380 |
| F | 0.605 | 0.645 | 15.370 | 16.380 |
| G | 0.125 | 0.500 | 3.180 | 12.700 |
| H | - | 1.063 | - | 27.000 |
| K | 0.437 | 0.650 | 11.100 | 16.510 |
| L | 0.297 | - | 7.550 | - |
| M | 0.050 | 0.160 | 1.270 | 4.060 |
| N | 0.300 | - | 7.620 | - |
| P | 0.250 | 0.310 | 6.350 | 7.870 |
| Q | 1.031 | 1.063 | 26.190 | 27.000 |

This drawing is for reference only. Please refer to Digitron's published datasheet.