

DIGITRON SEMICONDUCTORS

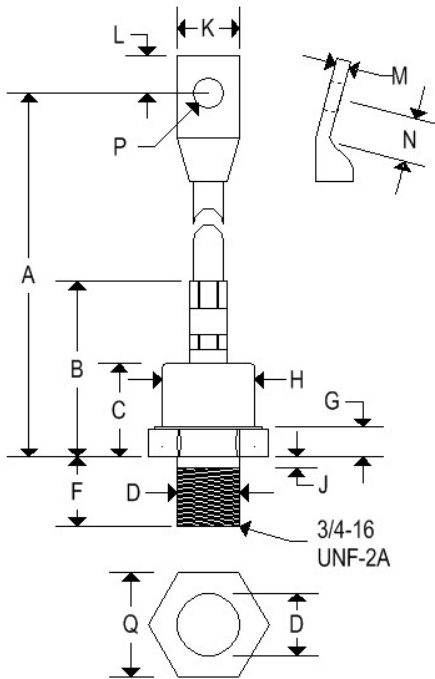
MECHANICAL CASE OUTLINE PACKAGE DIMENSIONS

DATE 29 DEC 2017

CASE DO-9R

STUD

CASE	HERMETICALLY SEALED METAL AND GLASS
MARKING	BODY PAINTED, ALPHA NUMERIC
POLARITY	ANODE IS STUD (CASE)
WEIGHT	240 GRAMS (APPROXIMATE)



	DO-9R			
	Inches		Millimeters	
	Min	Max	Min	Max
A	5.300	5.900	134.60	149.90
B	-	2.100	-	53.340
C	-	1.120	-	28.450
D	-	0.749	-	19.020
F	0.793	0.828	20.140	21.030
G	0.310	0.400	7.870	9.140
H	-	1.100	-	27.940
J	-	0.125	-	3.180
K	-	0.755	-	19.180
L	0.275	0.453	10.740	11.510
M	-	0.170	-	4.320
N	0.470	0.530	11.940	13.460
P	0.338	0.350	8.580	8.890
Q	1.218	1.250	30.940	31.750

This drawing is for reference only. Please refer to Digitron's published datasheet.