

DIGITRON SEMICONDUCTORS

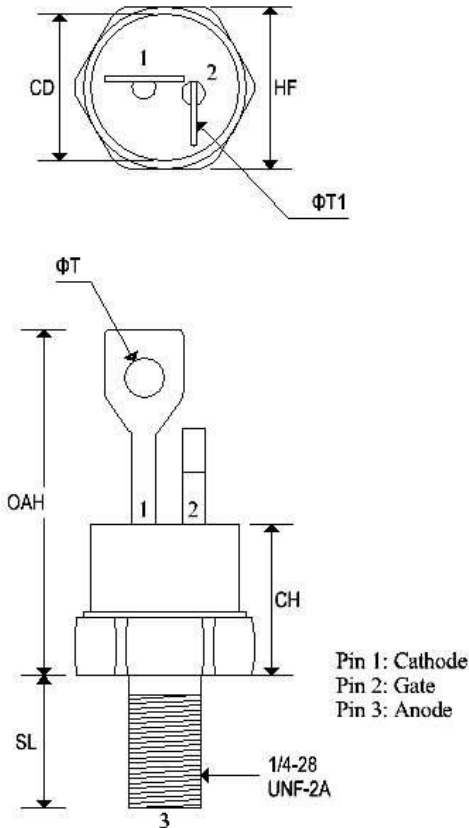
MECHANICAL CASE OUTLINE PACKAGE DIMENSIONS

DATE 13 JULY 2020

CASE TO-48A

STUD

CASE	HERMETICALLY SEALED METAL AND GLASS
MARKING	ALPHA NUMERIC
POLARITY	ANODE IS STUD (CASE)
WEIGHT	12.4 GRAMS (APPROXIMATE)



	TO-48A			
	Inches		Millimeters	
	Min	Max	Min	Max
CD	-	0.563	-	14.30
CH	-	0.579	-	14.70
HF	0.543	0.559	13.80	14.20
OAH	-	1.299	-	33.00
SL	0.425	0.453	10.80	11.50
ΦT	0.125	0.165	3.17	4.20
ΦT_1	0.043	0.075	1.10	1.91

Note: Contour and angular orientation of terminals 1 and 2 with respect to hex portion and to each other are optional.

This drawing is for reference only. Please refer to Digitron's published datasheet.